



TENAX

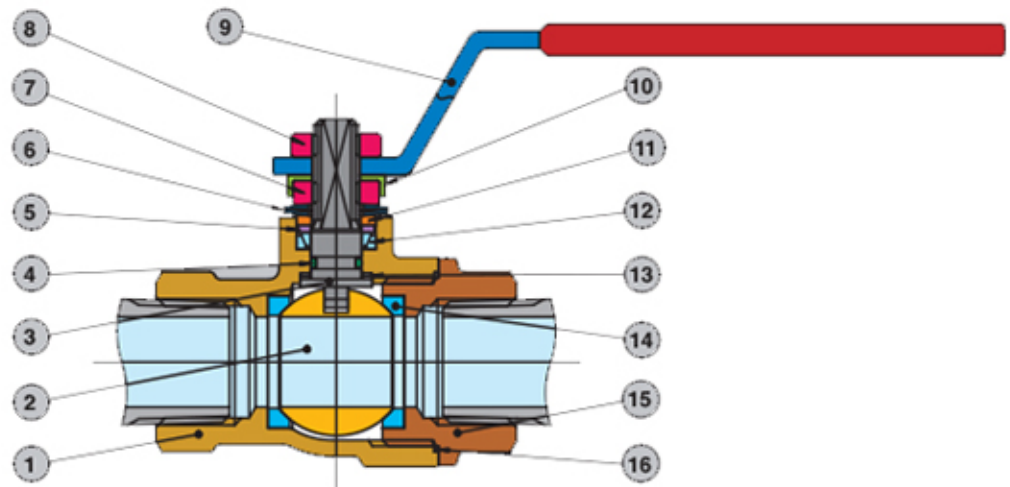


TENAX
Ball valves in stainless steel with threads.
Full bore design.

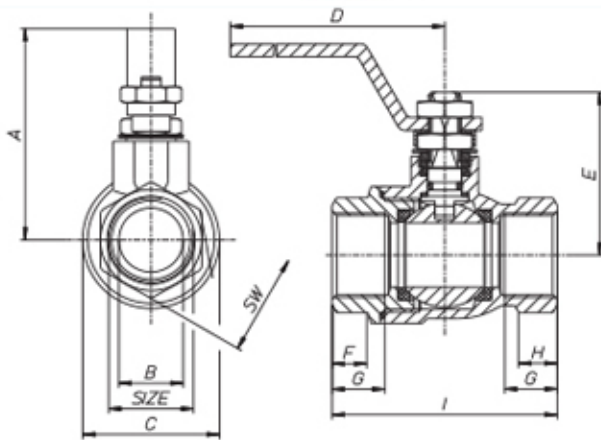
END CONNECTIONS
Female screwed to UNI EN 10226 (ex ISO 7/1 Rp).
Male screwed to UNI EN 10226 (ex ISO 7/1 Rp).
Special threads (BSPT, NPT, etc.) available on request.

WORKING PRESSURE
From PN 100 (1/4") to PN 40 (2").

TEMPERATURE LIMITS
From -20°C to +150°C.



| COMPONENTS | DESCRIPTION | MATERIAL |
|----------------------|-------------------------|------------------|
| 1 Body | Investment casting | AIS 316 D.1.4408 |
| 2 Ball | Forged | AIS 316 D.1.4401 |
| 3 Stem | From bar | AIS 316 D.1.4401 |
| 4 O-ring | Green or black | Fuoroelastomer |
| 5 Packing washers | From bar | AIS 304 D.1.4301 |
| 6 Spring washers | Drawn | AIS 301 D.1.4310 |
| 7 Stem retaining-nut | Forged | AIS 304 D.1.4301 |
| 8 Locking nut | Forged | AIS 304 D.1.4301 |
| 9 Lever handle | PVC insulated red color | AIS 304 D.1.4301 |
| 10 Fixing-nut-plate | Blanked | AIS 304 D.1.4301 |
| 11 Operation-stop | Blanked | AIS 304 D.1.4301 |
| 12 Stem packing | From bar | Virgin PTFE |
| 13 Thrust washer | From bar | Virgin PTFE |
| 14 Ball seats | From bar | Virgin PTFE |
| 15 End adapter | Investment casting | AIS 316 D.1.4408 |
| 16 Static gasket | Da barra / From bar | Virgin PTFE |



SPECIAL EXECUTIONS

Special gaskets available
 Stems with antistatic device from 3/4" to 2"
 Degreased version
 On request the valve is available with ATEX certificate (from 3/4" to 2")

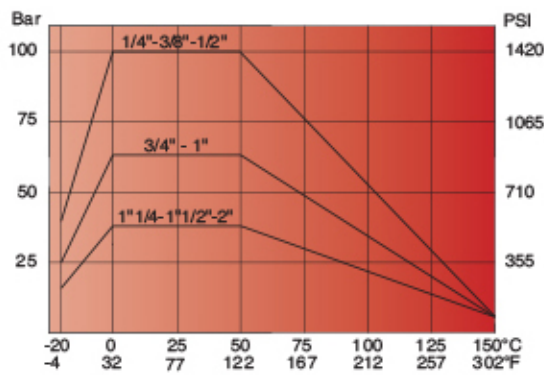
| Size | A mm | B mm | C mm | D mm | E mm | F mm | G mm | H mm | I mm | SW. EXA. | SW. OCT. | MF weight gr. | FF weight gr. | PN |
|--------|------|------|------|------|------|------|------|------|------|----------|----------|---------------|---------------|-----|
| 1/4" | 52 | 8 | 29 | 110 | 37 | 8,5 | 11,4 | 8 | 50 | 21,5 | - | 230 | 230 | 100 |
| 3/8" | 52 | 10 | 29 | 110 | 37 | 8,5 | 11,4 | 8 | 50 | 21,5 | - | 230 | 215 | 100 |
| 1/2" | 55 | 15 | 34 | 110 | 42 | 10 | 15 | 9,5 | 60 | 26,5 | - | 315 | 285 | 100 |
| 3/4" | 66 | 20 | 42,5 | 140 | 52 | 11,5 | 16,3 | 11,5 | 70 | 31,5 | - | 535 | 465 | 63 |
| 1" | 70 | 25 | 50,5 | 140 | 56 | 14 | 19,1 | 13,5 | 85 | 40,5 | - | 805 | 710 | 63 |
| 1" 1/4 | 85 | 32 | 63 | 180 | 68 | 15,5 | 21,4 | 16 | 95 | - | 49,5 | 1320 | 1180 | 40 |
| 1" 1/2 | 91 | 40 | 75,5 | 180 | 74 | 18,5 | 21,4 | 16 | 105 | - | 54,5 | 1875 | 1740 | 40 |
| 2" | 105 | 50 | 91 | 230 | 87 | 22,5 | 25,7 | 23,5 | 125 | - | 69,5 | 3130 | 2930 | 40 |

Breaking Torque in Nm

| DN size | 10 | 15 | 20 | 25 | 32 | 40 | 50 | |
|----------|----------|------|------|-----|--------|--------|------|------|
| | 1/4-3/8" | 1/2" | 3/4" | 1" | 1" 1/4 | 1" 1/2 | 2" | |
| PN - bar | 0 | 1,8 | 3,2 | 3,8 | 4,6 | 11,5 | 19 | 27,5 |
| | 16 | 1,8 | 4,3 | 4,9 | 5,9 | 15 | 24 | 38 |
| | 40 | 2,5 | 5,1 | 6 | 6,9 | 16,7 | 28,8 | 42 |
| | 64 | 3,2 | 5,6 | 6,8 | 8 | | | |
| | 100 | 3,8 | 6,5 | | | | | |
| Nm | | | | | | | | |

Values in Nm can change depending on the material used for seats, on temperature and on the fluid used. For a safe working of the various sorts of servocontrol, it is necessary to consider a suitable safety factor.

Pressure/temperature diagram



Head loss diagram

